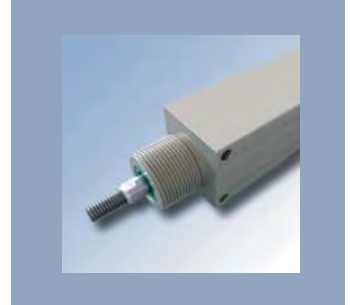




Clamping Cylinder

Product Facts:

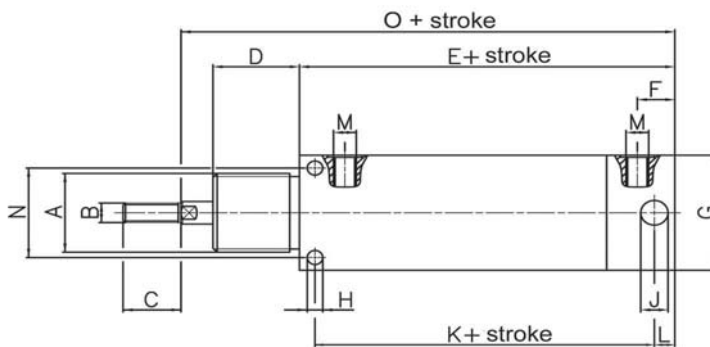
Diameter of piston: 20, 30, 40 mm
 Stroke: 10, 20, 30, 50, 75, 100, 125, 150 mm (further on request)
 Function: double acting (SDA) or single acting (SEA return spring)
 Damping: end of stroke damping
 Operating pressure: 0,2 - 10 Bar
 Others on request



	Piston diameter	Diameter of piston rod	Stroke	Magnet	End of stroke damping
SDA -	30 -		100 -	-	E
SDA double acting	20 = Ø 20 30 = Ø 30 40 = Ø 40	Ø 10 Ø 12 Ø 12	10 20 30 50 75 100 125 150	- = without magnet / M = with magnet*	E = end of stroke damping
SEA single acting					

* by choosing a magnet the extended length will increase approx. 10mm

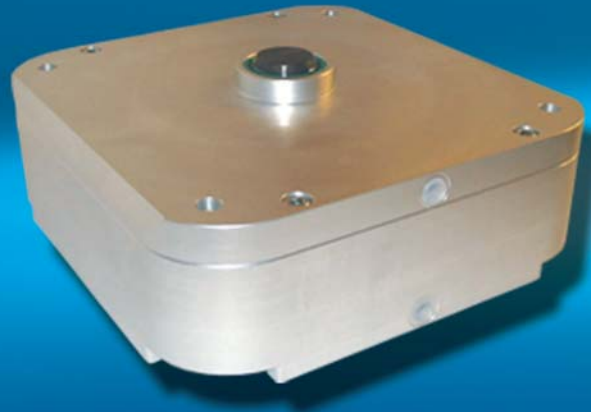
Diameter:



Ø	A	B	C	D	E	F	G	H	J	K	L	M	N	O
20	M26x1,5	M8	14	20	49,5	14,5	30	-	6H11	-	5,5	G1/8	-	69,5
30	M36x2	M10	20	24	60	15,5	40	Ø7	8H11	47	6,5	G1/8	28	83,5
40	M36x2	M10	20	30	66,5	18,5	50	Ø7	10H11	52	8	G1/8	38	96,5



The flyer is subject to technical alterations and printing mistakes.

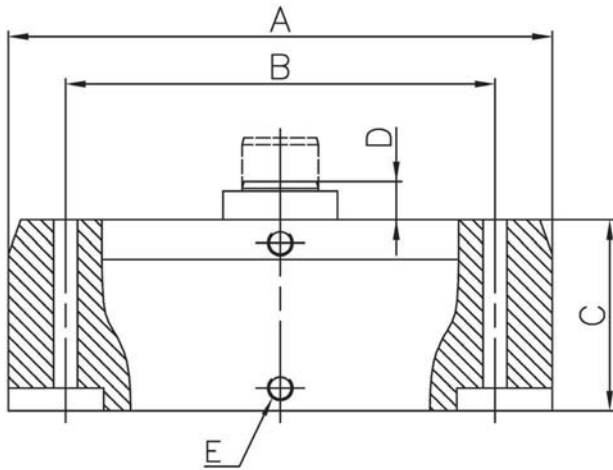


Compact Cylinder

Product Facts:

Diameter of piston: to 320 mm (further on request)
 Stroke: 5 - 90 mm
 Function: single or double acting
 max operating pressure: 6 Bar
Others on request

	Piston diameter	Diameter of piston rod	Stroke	single/ double acting
QS -	250 -		50	E
	200 = Ø 200	Ø 40	5 - 90	E = single / D = double
	250 = Ø 250	Ø 40	5 - 90	E = single / D = double
	300 = Ø 300	Ø 40	5 - 90	E = single / D = double
	350 = Ø 350	Ø 40	5 - 90	E = single / D = double



Dimensions:

Ø	A	B	C	D	E
200	215		stroke + 77	20	G1/4
250	265		stroke + 77	20	G1/4
270	285		stroke + 77	20	G1/4
320	335		stroke + 77	20	G1/4

The flyer is subject to technical alterations and printing mistakes.



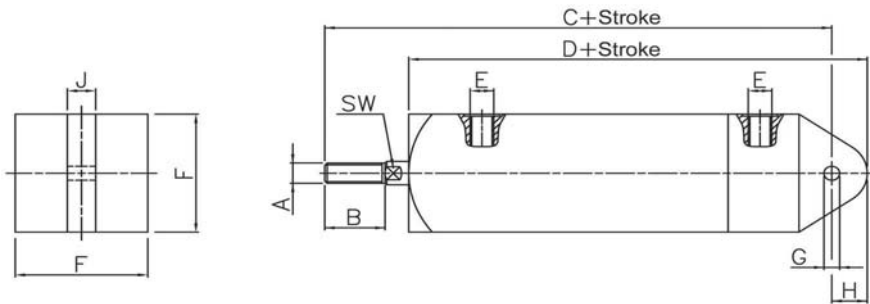
Mini Cylinder

Product Facts:

Diameter of piston: 10 - 25 mm
 Piston rod: 5 - 10
 Stroke: 10 - 75 mm
 Function: double acting (single acting on request)
 Damping: end of stroke damping
 max. operating pressure: 6 - 10 Bar
Others on request

	Piston diameter	Diameter of piston rod	Stroke	End of stroke damping
SDAS -	25 -		100 -	E
	10 = Ø 10	Ø 5	10 - 50	E = with
	16 = Ø 16	Ø 6	10 - 60	E = with
	25 = Ø 25	Ø 10	10 - 75	E = with

Dimensions:



Ø	A	B	C	D	E	F	G	H	J	SW
10	M4x0,7	8	58	50,5	M5	20	4,1	4,6	8,3	4
16	M6x1	12	69	58	M5	25	5,1	6	10	5
25	M10x1,5	20	64	47,5	G1/8	35	6	9	6,1	8



The flyer is subject to technical alterations and printing mistakes.

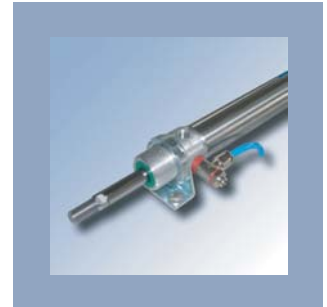


Round Cylinder

Product Facts:

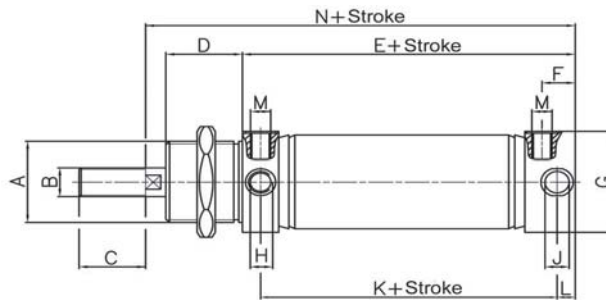
Diameter of piston: 32 - 100 mm
 Piston rod: 12 - 20
 Stroke: 20 - 600 mm
 Function: double acting (or return spring as an option)
 Damping: end of stroke damping
 max. operating pressure: 6 -10 Bar

Others on request



	Diameter of piston	Diameter of piston rod	stroke	Magnet	End of stroke damping
RD -	63 -		100 -	-	E
	32 = Ø 32	Ø 12	20 - 200	- = without magnet	- = without
	40 = Ø 40	Ø 12	20 - 200	- = without magnet	- = without
	50 = Ø 50	Ø 16	20 - 400	- = without magnet	- = without / E = with
	63 = Ø 63	Ø 16	20 - 600	- = without magnet	- = without / E = with
	80 = Ø 80	Ø 20	20 - 600	- = without magnet	- = without / E = with
	100 = Ø 100	Ø 20	20 - 500	- = without magnet / M = with magnet	- = without / E = with

Dimensions:



Ø	A	B	C	D	E	F	G	H	J	K	L	M	N
32	M30x1,5	M10	20	30	86	16,5	36	M8x1	8	69	8	G 1/8	124
40	M38x1,5	M12	24	35	89	16,5	44	M10x1,25	10	71	9	G 1/8	134
50	M45x1,5	M16	32	38	89	16,5	54	M12x1,5	12	71	9	G 1/8	139
63	M45x1,5	M16	32	38	95	10	69	M12x1,5	12	76	10	G 1/8	146
80	M45x1,5	M20x1,5	40	38	105	13	88	M16x1,5	16	81	13	G 1/4	159
100	M55x1,5	M20x1,5	40	38	114	14,5	109	M16x1,5	16	90	15	G1/4	170

Options

Adjustable end position

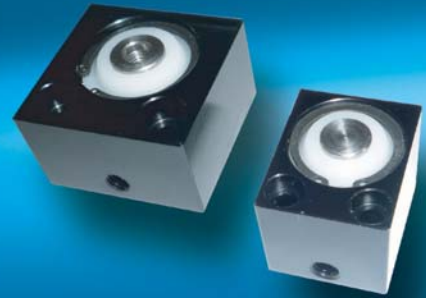


Rack and pinion



further on request

The flyer is subject to technical alterations and printing mistakes.



Short stroke cylinder

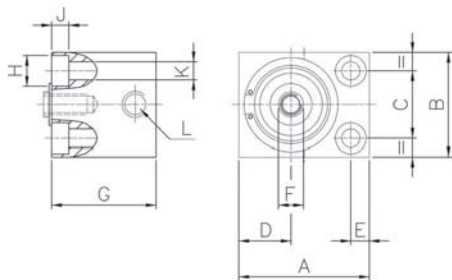
Product facts:

Diameter of piston: 12, 16, 20, 32, 50 mm
 Stroke: 0,5 - 10 mm (further on request)
 Function: single acting (double acting on request)
 max. operating pressure: 1 - 8 Bar
Others on request

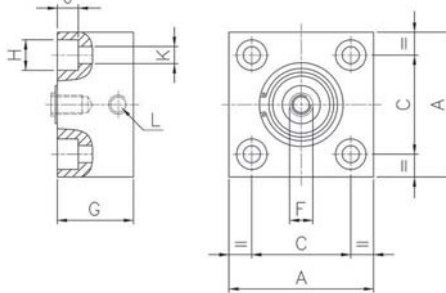
	Connecting part	Diameter of piston	Diameter of piston rod	Stroke
KHZ -	A -	20 -		3
	A = male thread	12 = Ø 12	Ø 6	0,5 - 4
	B = female thread	16 = Ø 16	Ø 8	0,5 - 4
	C = stud	20 = Ø 20	Ø 10	0,5 - 4
		32 = Ø 32	Ø 12	0,5 - 5
		50 = Ø 50	Ø 12	0,5 - 10

Dimensions:

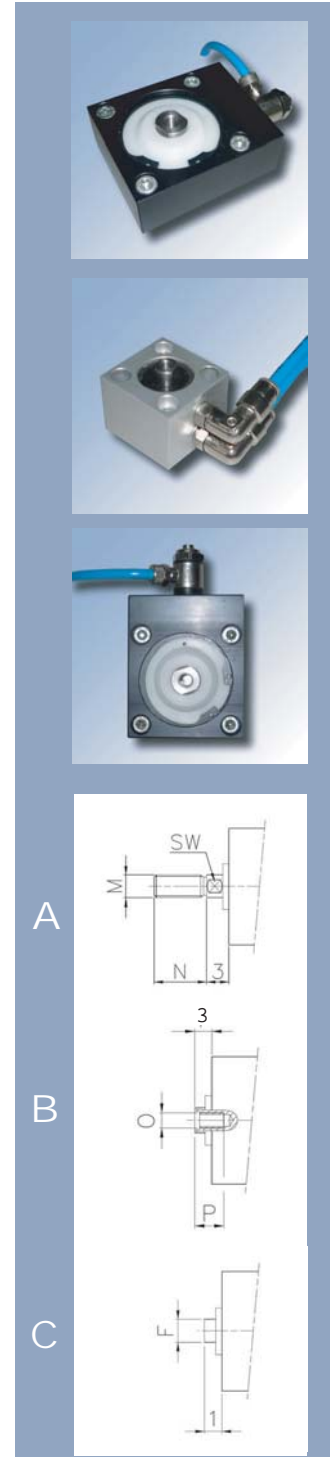
Ø 12-25



Ø 32-50



Ø	A	B	C	D	E	F	G	H	J	K	L	M	N	O	SW	P
12	25	20	13	9	3,2	5	16	5,9	3,5	3,4	M5	M5	8	M3	-	6
16	25	20	13	10	3,5	8	20	6	3,4	3,5	M5	M6	12	M4	7	8
20	32	32	20	13	6	10	20	8	5,6	4,5	M5	M8	12	M5	9	11
32	50	50	32	16,8	9	12	26	9,4	5,5	5,5	G1/8	M10x1,25	14	M6	10	12
50	80	65	50	32,5	23	16	30	11	7	6,5	G1/4	M12x1,25	16	M8	13	16



The flyer is subject to technical alterations and printing mistakes.