

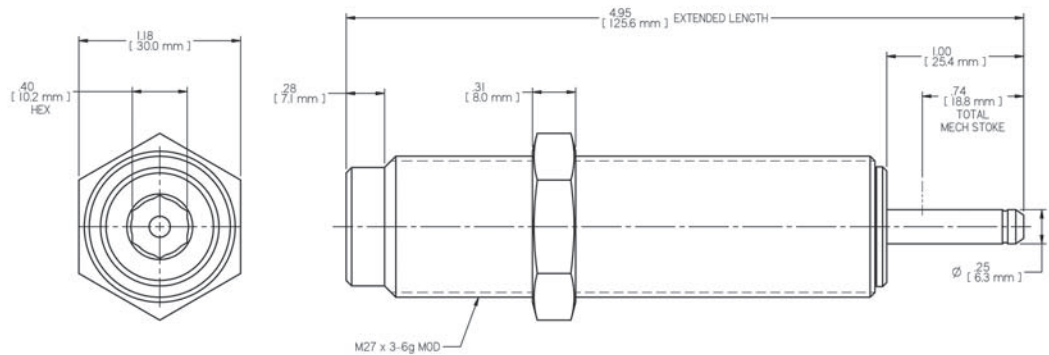


**MAXIMACE**  
easier > faster > stronger >

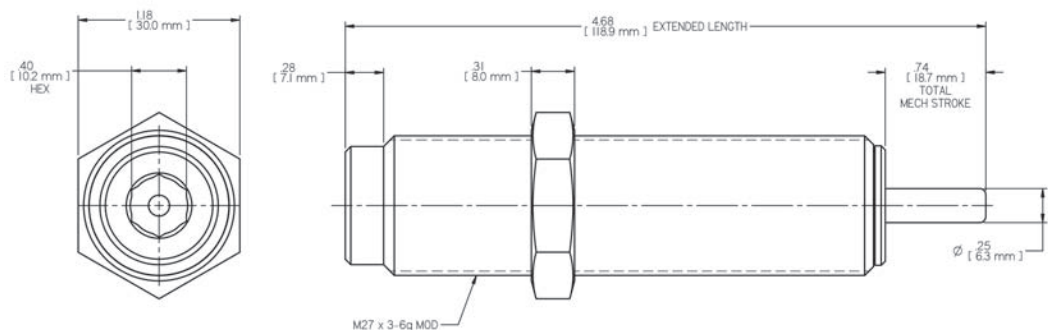
# Industrial Shock Absorbers for the PET Industry

**Ideal for Stretch Rod and Mold Applications on Sidel and  
Krones PET machines**

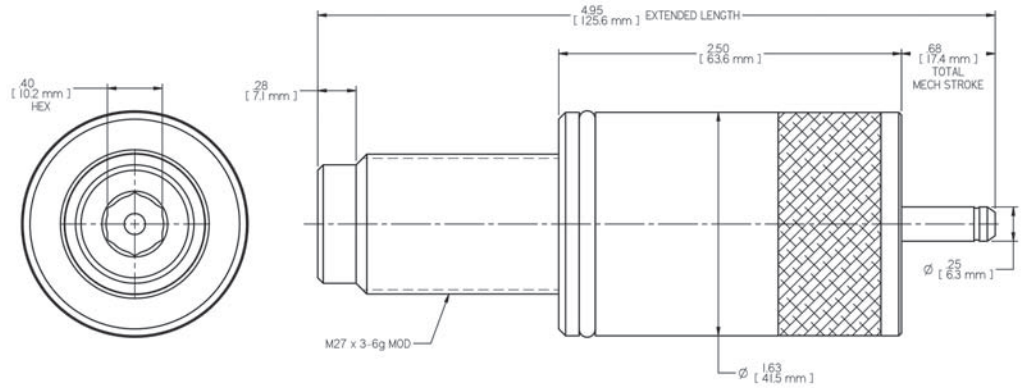
## PET-27MX-880



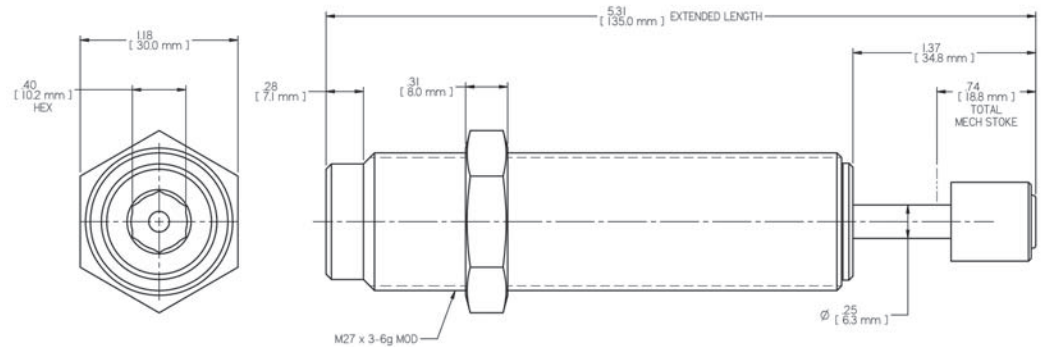
## PET-27MX-NB



## PET-27MX-QCM-880



## PET-27MX-SBUC



## TECHNICAL DATA

**E4 Energy per hour:** 1.8M in-lbs (203,373 Nm)

**Rod return time:** 0.10 second

**Return force:** Initial: 3.8 lbs (1.72 kg)

Compressed: 7.1 lbs (3.22 kg)

**Shipping weight:** 0.44 lb (.20 kg)

**Materials:** Aluminum outer tube, chrome plated piston rod

**PET Series & Model Number:** PET 27M

**Effective Weight\*:** -1 Ultralight -3 Medium

## NOMENCLATURE

### PET27M 1 - QCM

#### SERIES MODEL NUMBER

PET 27M

#### EFFECTIVE WEIGHT

-1 Ultra Light

-3 Medium

#### MOUNT, BUTTON OPTIONS

- QCM Quick Change Mount
- SBUC Small Button, Urethane Cap
- 880 No Button, Standard Rod
- NB No Button, Short Rod
- When using ACE Shock Stop Holders, you only need to inventory one shock model
- Krones Shock Stop Holder used with -SBUC
- \* Additional models available for custom applications.